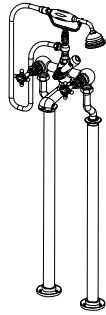


# Installation instructions and cautions



This instructions suit for 2 holes Floor Standing Bath Shower Mixer

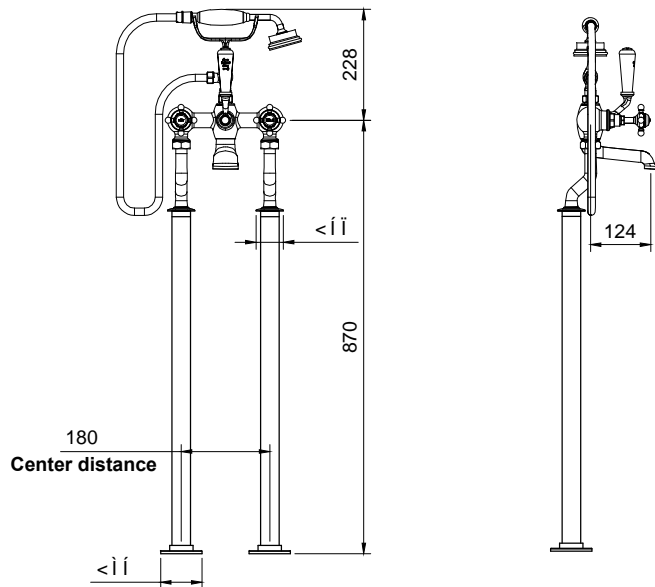
## Cautions

1. Flush the pipes, make sure all silt and debris have been removed.
2. Check the water supply pipes for damage.
3. The working water pressure of the tap: 0.5-5 bar.
4. Working water temperature: 0-65°C.

## Maintenance and cleaning instructions

The end user is required to regularly maintain and clean product using warm soapy water and a soft cloth for the product warranty to be valid. Surfaces should be maintained using a clean damp cloth, NO corrosive and abrasive agents or materials should be used or come into contact with the surface finish, as this will invalidate your product warranty.

## Mounting Dimensions



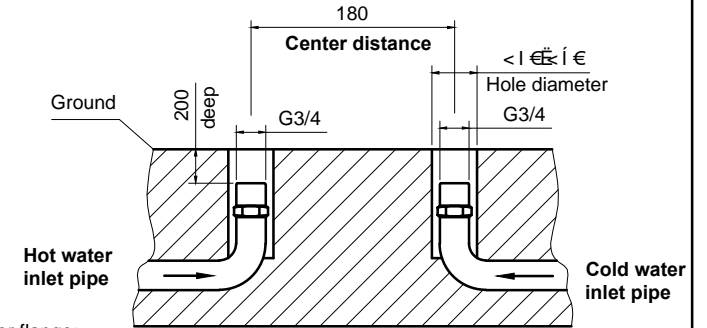
# Installation steps

## 1. Prepare before installation

Before installation, check the size of the embedded pipes, determine the position of the tap and bathtub.

### a) Embedded pipes requirement

a) Center distance of the embedded pipes is 180mm, inlet pipe connect @ 200mm depth.



b) Determine the fixing hole position for flange: Install the stand pipe (NO.1) on flange (NO.2). Put the thread hole position of the stand pipe (NO.1) at behind of tap, determine the flange position, then align the flanges (NO.2) with the hot and cold water inlet pipes holes. Mark the positions of the screw holes of flange on the ground, and check whether there is a wire or water under the position. Drill holes with electric drilling machine. Insert the plastic rawl plug into the drilled holes.

### b) Determine the fixing hole positions for flange

